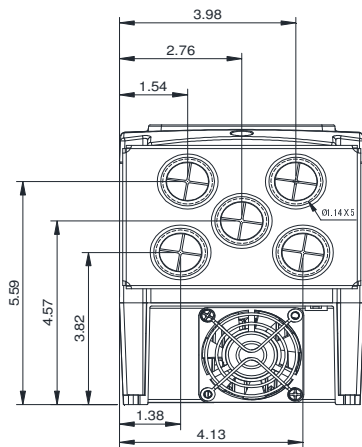
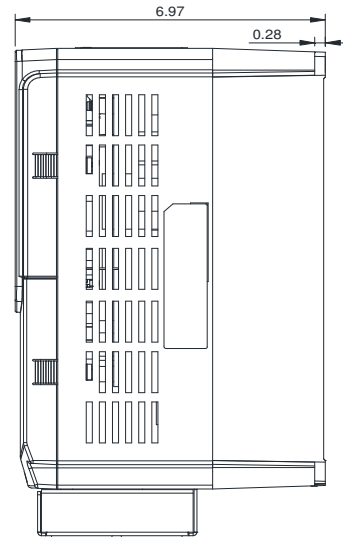
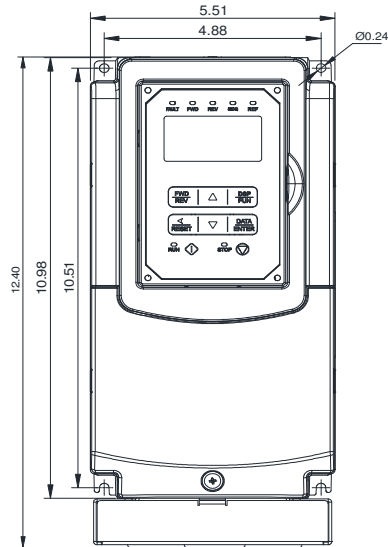


GENERAL DATASHEET VARIABLE SPEED DRIVE

SERIES		MODEL#		
F510		F510-4005-C3-UE		
ISSUED		ENCLOSURE/ FRAME		
12/31/2019		NEMA 1 (IP20) / F2		
INPUT AMPS		AC INPUT VOLTAGE	AC INPUT FREQUENCY	AC INPUT PHASE
ND (VT)				
9.6		380-480	50/60	3
OUTPUT HP	OUTPUT AMPS	AC OUTPUT VOLTAGE	AC OUTPUT FREQUENCY	AC OUTPUT PHASE
ND (VT)	ND (VT)			
5	9.2	0-480	0-400	3



Approved By:	Brian Smith	Drawing No:	F510-460-005-F2	Revision: 1
--------------	-------------	-------------	-----------------	-------------